

## GB21 Styled For Safety L-Handle (Traditional Series)

### Features

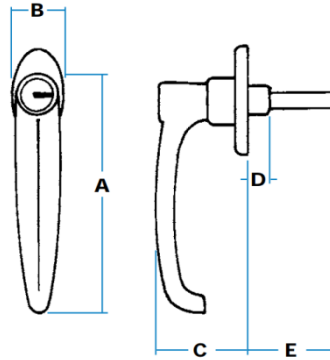
- Designed so that the 'arms' turn under and down, to avoid a sharp, projecting tip. With relatively long, heavy-section castings they are well suited to specialist vehicles, particularly if mounting panel is shaped and brought up close to the ends of the handles
- Free rotation through 360°, locking at each 90° position

### Material

- Steel, chromium plated (or black powder coated on request)

### Notes

- Fix through countersunk holes or with studs on concealed-fixing versions
- **Contact Gripwell sales for cam pawl and centre-case options**



**GB21-G27251**  
(Locking L-handle)

Part No.	Type	Key	A	B	C	D	E
<b>GB21-G27251</b>	44 mm Fixing	Standard	130	32	42	16	125
<b>GB21-G27251-01</b>		FS880					
<b>GB21-G27252</b>		Non-Locking					

## GB21 Styled For Safety T-Handle (Traditional Series)

### Features

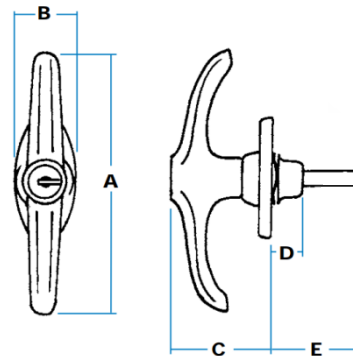
- Designed so that the 'arms' turn under and down, to avoid a sharp, projecting tip. With relatively long, heavy-section castings they are well suited to specialist vehicles, particularly if mounting panel is shaped and brought up close to the ends of the handles
- Free rotation through 360°, locking at each 90° position

### Material

- Steel, chromium plated (or black powder coated on request)

### Notes

- Fix through countersunk holes or with studs on concealed-fixing versions
- **Contact Gripwell sales for cam pawl and centre-case options**



**GB21-G00831**  
(Locking T-handle)

Part No.	Type	Key	A	B	C	D	E
<b>GB21-G00831</b>	44 mm Fixing	Standard	135	32	51	16	125
<b>GB21-G00831-01</b>		FS880					
<b>GB21-G00832</b>		Non-Locking					